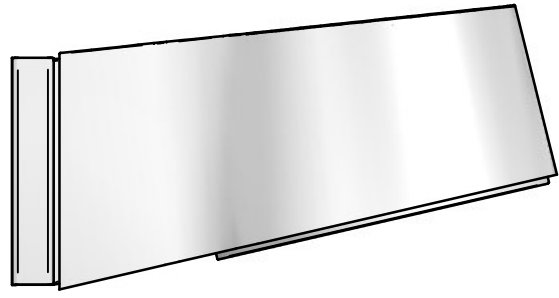
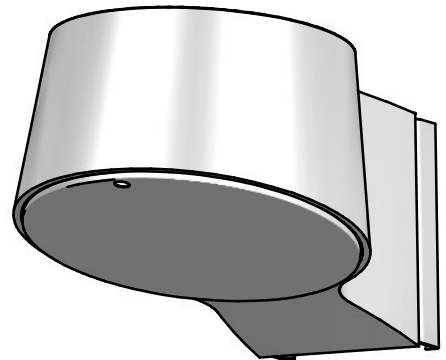
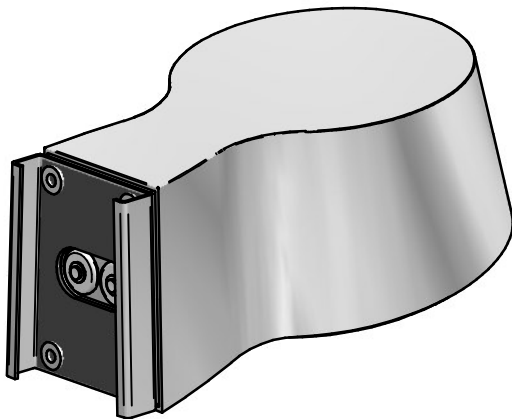
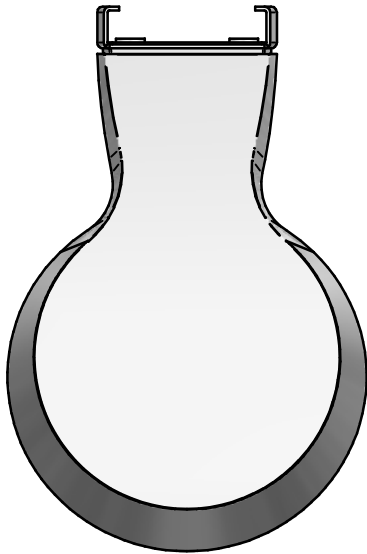


120

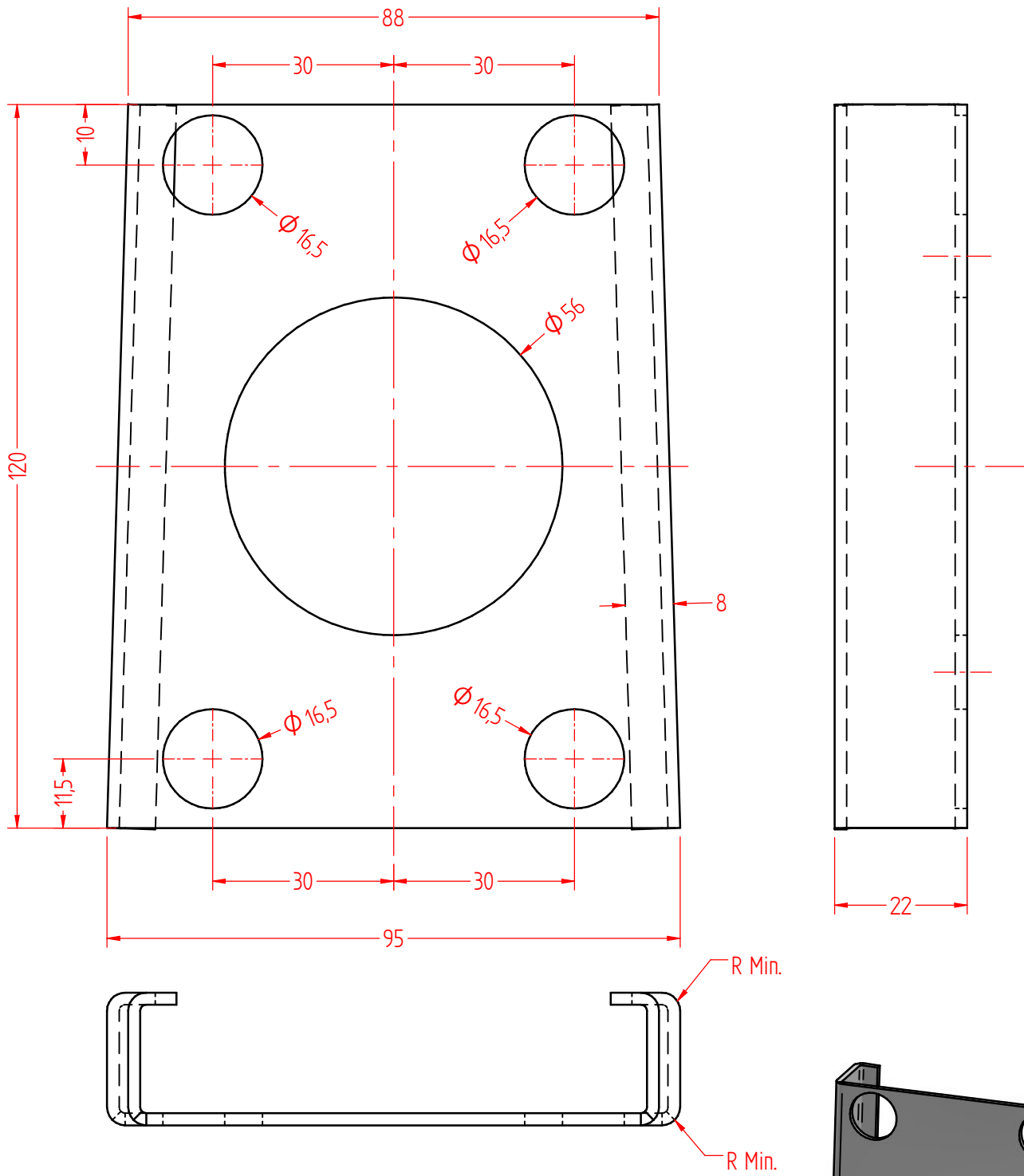


• • 22

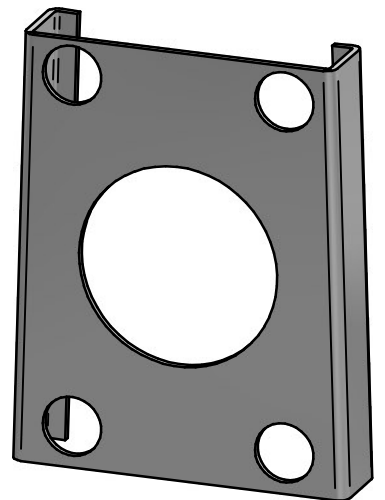
288



REV.	DESCRIPTION	DATE	MADE BY																					
	Unless otherwise specified, the tolerances specified below must be applied:	DATE 22-06-10	MADE BY D.C.																					
dim.	<table border="1"> <tr> <td>from</td> <td>0</td> <td>10</td> <td>30</td> <td>100</td> <td>300</td> <td>1000</td> </tr> <tr> <td>to</td> <td>10</td> <td>30</td> <td>100</td> <td>300</td> <td>1000</td> <td>-</td> </tr> <tr> <td>+/-</td> <td>0,1</td> <td>0,2</td> <td>0,3</td> <td>0,5</td> <td>0,8</td> <td>1,0</td> </tr> </table> <p>for angles +/-0,2</p>	from	0	10	30	100	300	1000	to	10	30	100	300	1000	-	+/-	0,1	0,2	0,3	0,5	0,8	1,0	<p>FOCUS-LIGHTING</p> <p>KOKKEDAL INDUSTRIPARK 40 DK - 2980 KOKKEDAL TLF 49 14 80 80 FAX 49 14 80 90</p>	
from	0	10	30	100	300	1000																		
to	10	30	100	300	1000	-																		
+/-	0,1	0,2	0,3	0,5	0,8	1,0																		
SUBJECT		MATERIAL																						
Beslag til Nyx 190 for synlig installation		2 mm Aluzink plade																						
DRAWING NO.		REVISION NO.																						
60228																								
ANY DISCLOSURE OF THIS DRAWING TO A THIRD PARTY IS SUBJECT TO THE APPROVAL OF FOCUS LIGHTING AS																								



1:1



REV.	DESCRIPTION	DATE	MADE BY																					
	Unless otherwise specified, the tolerances specified below must be applied:	DATE 10-08-09	MADE BY D.C.																					
dim.	<table border="1"> <tr> <td>from</td> <td>0</td> <td>10</td> <td>30</td> <td>100</td> <td>300</td> <td>1000</td> </tr> <tr> <td>to</td> <td>10</td> <td>30</td> <td>100</td> <td>300</td> <td>1000</td> <td>-</td> </tr> <tr> <td>+/-</td> <td>0,1</td> <td>0,2</td> <td>0,3</td> <td>0,5</td> <td>0,8</td> <td>1,0</td> </tr> </table> for angles +/-0,2	from	0	10	30	100	300	1000	to	10	30	100	300	1000	-	+/-	0,1	0,2	0,3	0,5	0,8	1,0	FOCUS-LIGHTING KOKKEDAL INDUSTRIPARK 40 DK - 2980 KOKKEDAL TLF 49 14 80 80 FAX 49 14 80 90	
from	0	10	30	100	300	1000																		
to	10	30	100	300	1000	-																		
+/-	0,1	0,2	0,3	0,5	0,8	1,0																		
SUBJECT		MATERIAL																						
Bagblade til Nyx 190 for synlig installation		2 mm Aluzink plade																						
DRAWING NO.		REVISION NO.																						
60220-23																								
ANY DISCLOSURE OF THIS DRAWING TO A THIRD PARTY IS SUBJECT TO THE APPROVAL OF FOCUS LIGHTING AS																								